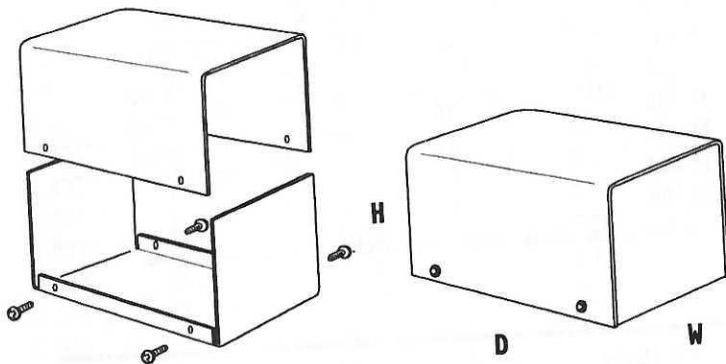


# CHASSIS

## Crown Royal Series

The Crown Royal Series answers the housing problems of the most critical engineer, OEM, or hobbyist who demands versatility and rugged construction combined with beauty to enhance the prestige of the contents.

- Constructed of .050 aluminum, 3003-H-14.
- Available in light blue bottom with a darker blue top or plain.



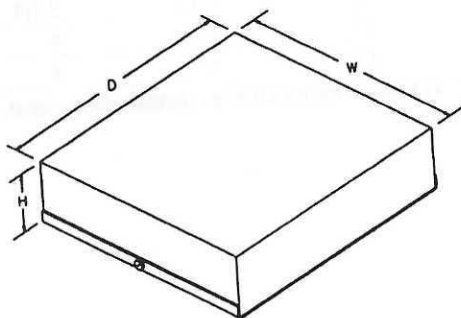
<i>LMB Model</i>	<i>D</i>	<i>W</i>	<i>H</i>
CR-211	2 1/4	1 1/2	1 3/8
CR-221	2 1/4	2 1/8	1 3/4
CR-234	2 3/4	2 1/8	2 1/8
CR-275	2 3/4	2 1/8	2 5/8
CR-321	3 1/4	2 1/8	1 5/8
CR-332	3 3/4	3	2 1/8
CR-345	3	4	5
CR-400	4	2	2 3/4
CR-421	4	2 1/8	1 5/8
CR-422	4	2 1/4	2 1/4
CR-425	4 1/4	2 1/4	1 1/4
CR-442	4	4	2
CR-522	5	2 1/4	2 1/4
CR-531	5 1/2	3	1 1/4
CR-532	5 1/4	3	2 1/8
CR-621	6 1/2	2 1/8	1 5/8
CR-632	6 1/4	3 1/2	2 1/8
CR-643	6	4	3
CR-645	6	4	5
CR-753	7	5	3
CR-800	8	3	2 3/4
CR-852	8 1/2	2 1/8	1 5/8
CR-864	8	6	4 1/2
CR-1042	10	4	2 1/2
CR-12217	12	2	1 3/4

.050 Aluminum; all measurements in inches (outside dimensions).

## Shielded Chassis

Ideal for:

- Laboratory uses.
- Industrial production.
- Experimentation.
- Wherever a large shielded chassis is required.
- Available in grey or plain aluminum.



<i>LMB Model</i>	<i>D</i>	<i>W</i>	<i>H</i>
20	7 1/2	7	2
21	13	10	3
22	17	10	3

.050 Aluminum; all measurements in inches (outside dimensions).